

## LED 2X2, 1X4, 2X4 Suspension kit

### Features

- Durable aircraft cable
- SS hardware with easy to install hooks
- Adjustable length and mounting height
- Suitable for all luminaire sizes
- One year warranty

### Options

- Canopy not included\*
- Drywall screws not included\*



### Technical specification

Part No.	Material	Weight(lb)	Max Adjust. Mounting length (inch)	Max Adjust. width (inch)
RPN-AC001	304 stainless steel	0.5lb	45"	24"

### Installation Method

1. Take all accessories out of the bag "Figure #1".
2. Screw off the bolt of the hanging rope as shown in "Figure #2".
3. Fix bracket with two screws as shown "Figure 3"
4. Buckle the hanging cable with hook into the holes of secured bracket.
5. When four hanging hooks are buckled, adjust the hanging cable, leveling the fixture in a horizontal state "Figure #4".
6. Fix hanging cable with matched bolt from "Figure #2" to the ceiling or Canopy (by others) as shown in "Figure #5".
7. Finish the installation "Figure #6".



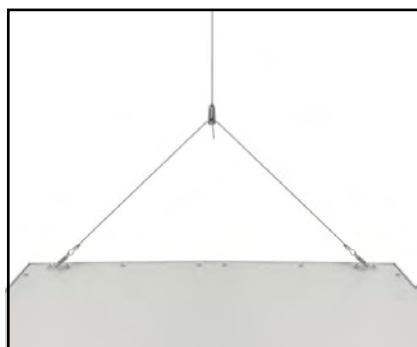
(Figure #1)



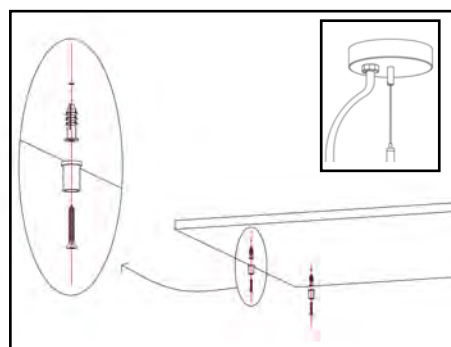
(Figure #2)



(Figure #3)



(Figure #4)



(Figure #5)



(Figure #6)